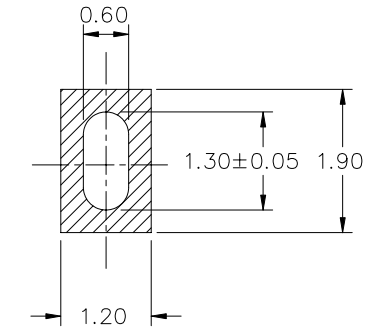
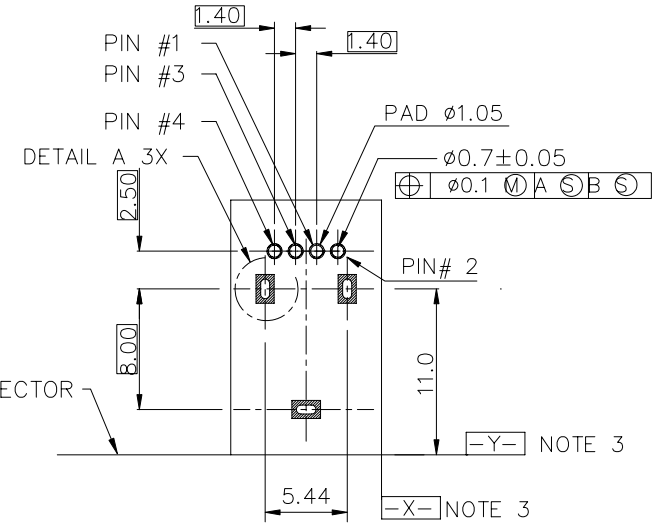
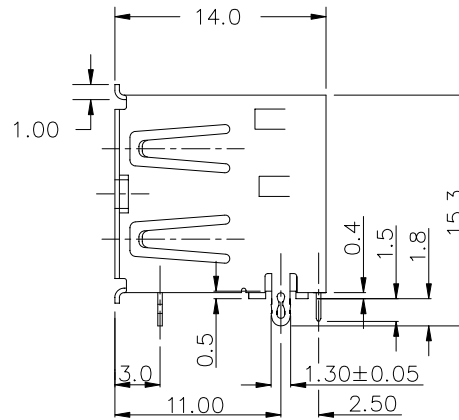
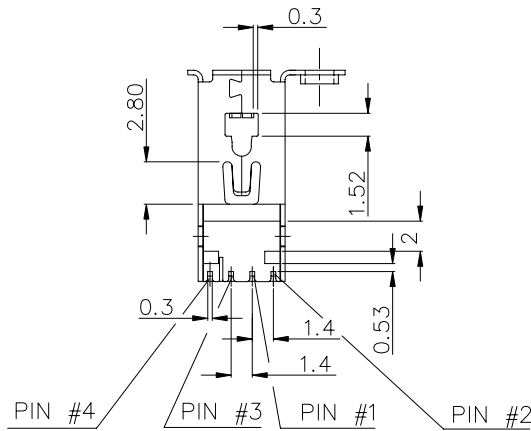
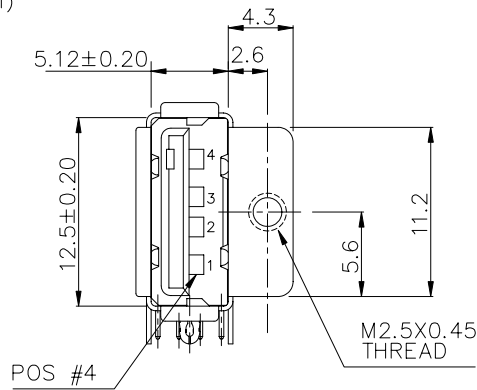
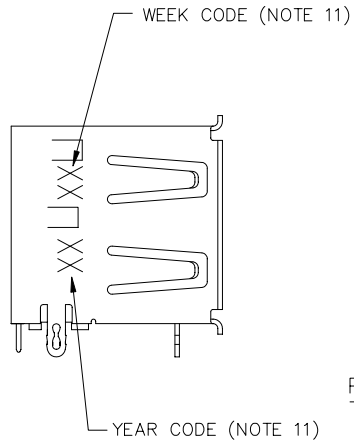
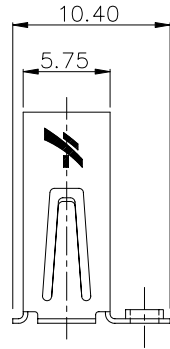


PRODUCT NO.

52319



DETAIL A 5 : 1

PC BOARD MOUNTING DIMENSIONS FOR 4 PIN

mat'l code				tolerance unless otherwise specified			CUSTOMER COPY		 www.fciconnect.com	
rev.	ecn no.	dr	date	linear	.0 ± .30		projection	title USB SIDE MOUNT WITH RIGHT SIDE FLANGE product family USB size dwg no.		
K	N05-0086	PH	03/22/05		.00 ± .20					
L	N05-0222	PH	07/28/05	angles	.000± 0.10			product family USB size dwg no.		
					± 2'					
F	T10256	PP	09/20/01	dr	PETER	3/15/00	unit mm/inch	product family USB size dwg no.		
G	T20158	WL	05/17/02	enr	R Y LIU	3/15/00				
H	T20190	WL	06/25/02	chr	R Y LIU	3/15/00	scale	product family USB size dwg no.		
J	T04-0194	WL	05/05/04	appd	JENN TSAO	3/15/00				
sheet	revision	L	L							
index	sheet	1	2							

Tous droits strictement reserves. Reproduction ou communication a des tiers int sous quelque forme que ce soit sans autorisation ecrite du proprietaire. Property of c BERG ELECTRONICS. Copyright BERG ELECTRONICS by  
 All rights strictly reserved. Reproduction or issue to third parties in any for whatever is not permitted without written authority from the proprietor. Property of c BERG ELECTRONICS. Copyright BERG ELECTRONICS by

PRODUCT NO.  
52319

PRODUCT NUMBER CODE

52319-X 0 X 0 B LF

HOUSING COLOR OPTION

- 0-WHITE
- 1-BLACK

SHIELD PLATING OPTION

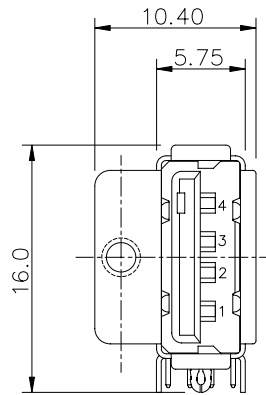
- 1- NICKEL ONLY WITH RIGHT SCREW TYPE 1
- 2- TIN COPPER ALLOY WITHOUT SCREW TYPE 2
- 3- TIN COPPER ALLOY WITH SCREW TYPE 1
- 4- TIN COPPER ALLOY WITH LEFT SCREW TYPE 3

TERMINAL PLATING OPTION

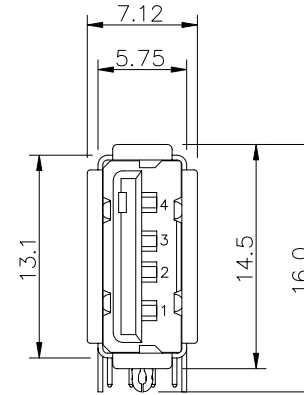
- 0-50u" NI UNDERPLATE
- 30u" Au CONTACT AREA
- 100u" TIN/LEAD TAIL AREA

LEAD FREE OPTION

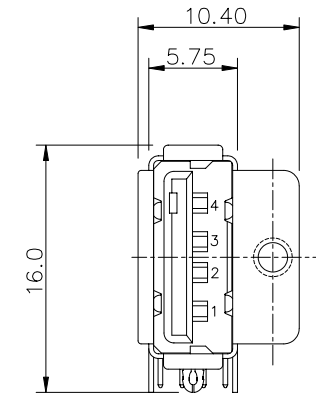
LF- TIN/LEAD PLATING EVERYWHERE WILL BE REPLACED BY PURE TIN PLATING IF "LF" OPTION SELECTED



WITH LEFT SCREW TYPE '3'



WITHOUT SCREW TYPE '2'



WITH RIGHT SCREW TYPE '1'

NOTES :

1. MATERIAL:  
CONTACTS: COPPER ALLOY  
SHIELD: COPPER ALLOY  
HOUSING: UL 94V-0 THERMOPLASTIC, COLOR: SEE PRODUCT CODE
2. PLATING: SEE PRODUCT NUMBER CODE.
- ③ DATUMS & BASIC DIMENSIONS DETERMINED BY CUSTOMERS.
4. RECOMMENDED BOARD THICKNESS IS 0.50mm ~ 0.6mm.
- ⑤ MAXIMUM PANEL THICKNESS TO BE 2.67mm IF MOUNTED BEHIND PANEL
6. METAL SHELL SLIVER 0.20 MAX.
7. P/N'S WITH SUFFIX "LF" ARE LEAD FREE P/N'S
8. PACKING STANDARD GS-14-920 WILL BE APPLIED FOR LEAD FREE P/N'S
9. FOR LEAD FREE P/N, THE PRODUCT MEET EUROPEAN UNION DIRECTIVES AND OTHER COUNTRY REGULATION AS DESCRIBED IN GS-22-008
10. FOR LEAD FREE P/N, THE HOUSING WILL WITHSTAND EXPOSURE TO 260°C PEAK TEMPERATURE FOR 40 SECONDS IN A CONVECTION, INFRO-RED OR VAPOR PHASE REFLOW OVEN.
11. 52319-1020BP/1020BPLF ARE WITH PRINTED CODE.

mat'l. code				tolerances unless otherwise specified			CUSTOMER COPY		 www.fciconnect.com	
ltr	ecn no	dr	date	linear	.0 ± .30		projection	 title USB SIDE MOUNT WITH RIGHT SIDE FLANGE		
					.000± 0.10					
				angles	± 2'		 MM/INCH	product family USB size dwg no 52319		code
				dr	PETER	3/15/00				scale
				enr	R Y LIU	3/15/00				
				chr	R Y LIU	3/15/00				
				appd	JENN TSAO	3/15/00				
sheet index	revision sheet									

All rights strictly reserved. Reproduction or issue to third parties is not permitted without written authority from the proprietor.  
 Toute réimpression sans autorisation écrite du propriétaire.  
 Copyright © 2008 FCI Electronics Inc.

**FCI**

All rights strictly reserved. Reproduction or issue to third parties is not permitted without written authority from the proprietor.  
 Toute réimpression sans autorisation écrite du propriétaire.  
 Copyright © 2008 FCI Electronics Inc.